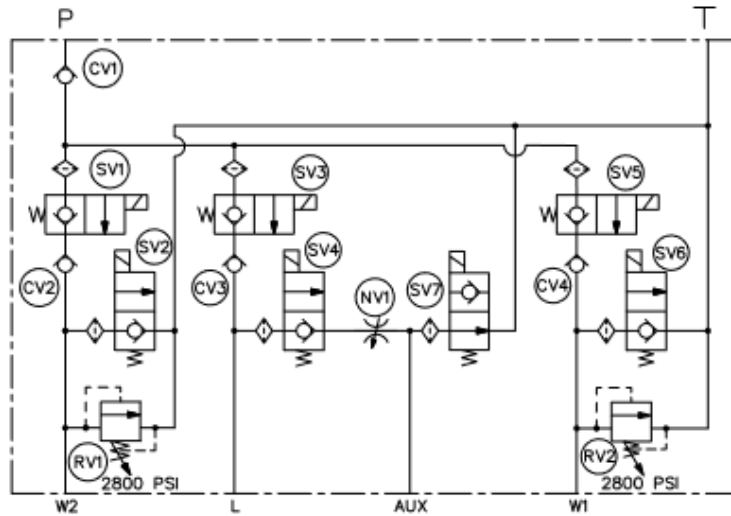
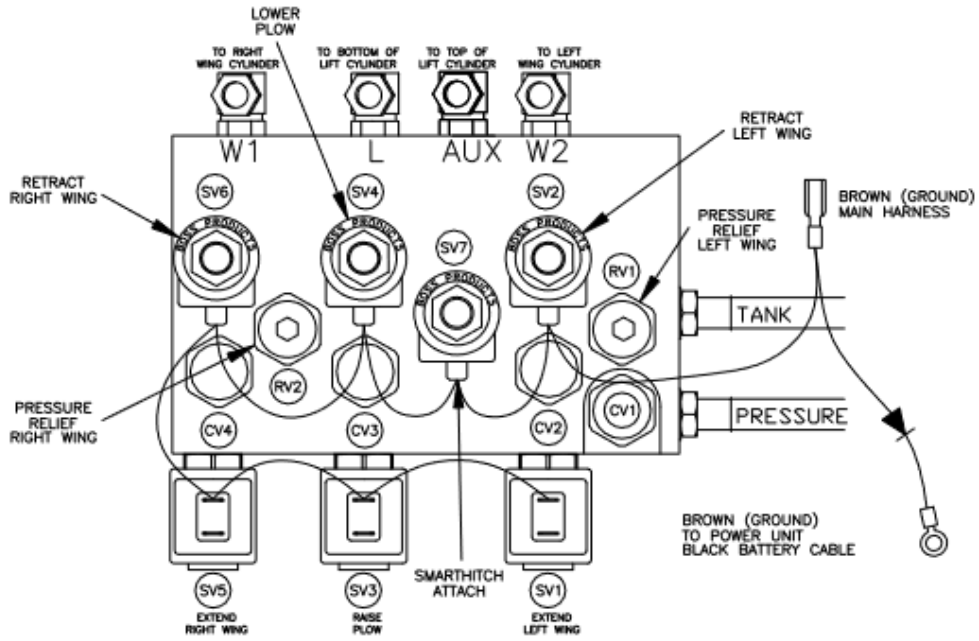


**HYD07044 Hydraulic Valve Assembly
RT3 10' Power-V with SmartHitch™ (Clear)
Blade Functions**



**HYD07044 Hydraulic Valve Assembly
RT3 10' V-Blade with SmartHitch™ (Clear)
Parts List**

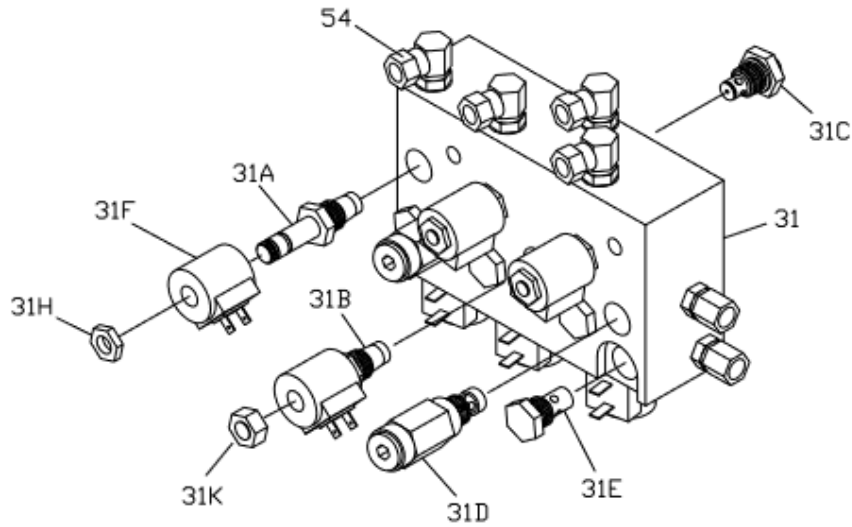


Figure 1. Hydraulic Valve Assembly Parts Breakdown

G10484

| Reference Number | Description | Part Number | Qty |
|------------------|--|-------------|-----|
| 31 | Valve Manifold, RT3 10' V-Blade w/ SmartHitch™ | HYD07044 | 1 |
| 31A | Valve, Lift / Angle | HYD01637 | 6 |
| 31B | Valve, SmartHitch Attach | HYD07047 | 1 |
| 31C | Valve, Flow Control | HYD07048 | 1 |
| 31D | Valve, Relief V-Blade (2800psi) | HYD01639 | 2 |
| 31E | Check Valve | HYD01640 | 4 |
| 31F | Valve Coil | HYD01638 | 7 |
| 31H | Coil Nut | HYD07059 | 6 |
| 31K | Coil Nut (SmartHitch™ Valve) | HYD07060 | 1 |
| 54 | Hydraulic Swivel Fitting | HYD01620 | 4 |
| 80 | Ground Harness- V (not shown) | MSC08850 | 1 |